

LA BREA AIR, INC.

5601 W. SLAUSON AVENUE SUITE 262, CULVER CITY, CA 90230

PHONE: (310)258-9100 FAX : (310)258-9110 www.labrearentals.com

TO:

ATTENTION:

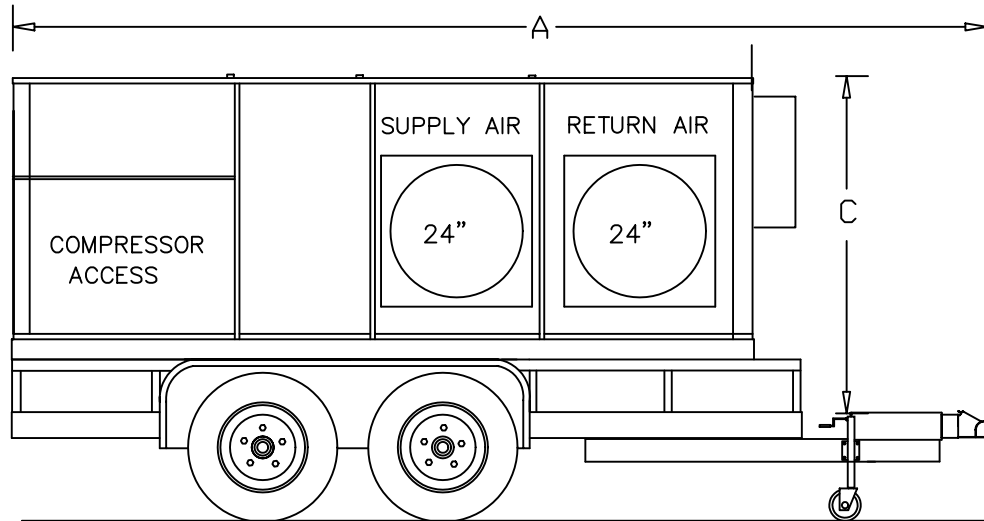
FAX :

FROM:

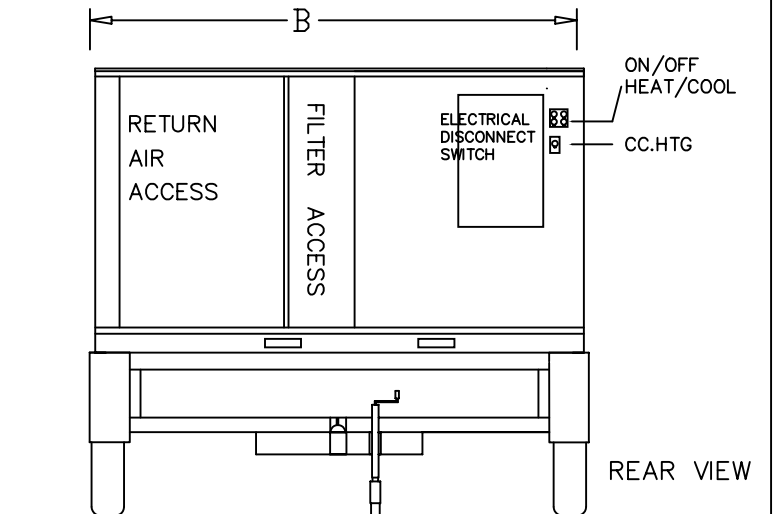
PAGE: OF

PH:

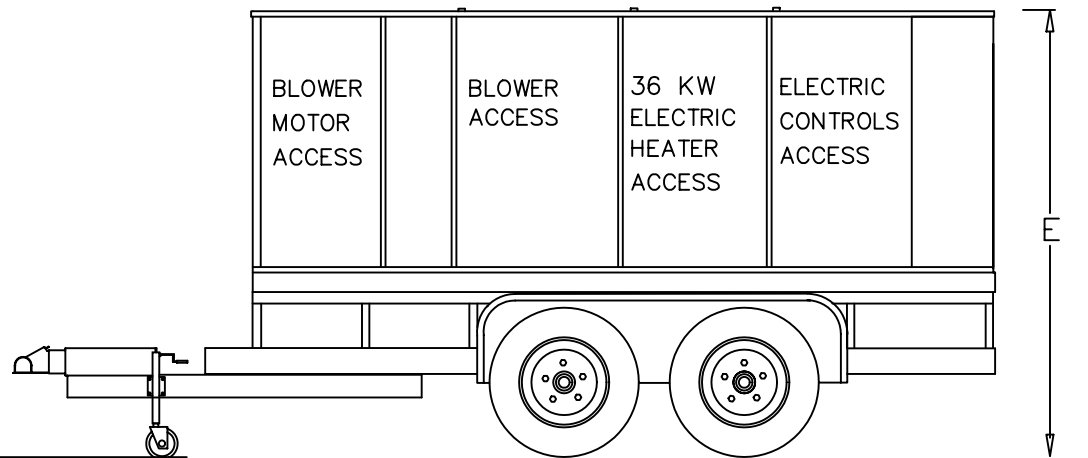
DATE:



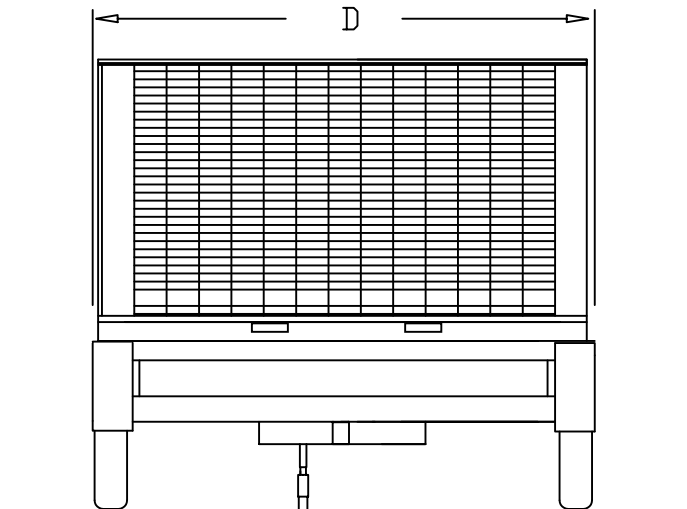
SIDE VIEW



REAR VIEW



SIDE VIEW



FRONT VIEW

protoA1:1

UNIT/CAPACITY	DIMENSIONS							AMPERAGE		NOTES:
								@ 208/230 V		
ACP-20T	A	B	C	D	E	F	APPROX. WEIGHT	1 PH.	3 PH.	24"Ø FLEX DUCT IN 25' LENGTHS.100' IS STANDARD POWER CABLE @ 100'.100' IS STANDARD THIS UNIT IS EQUIPPED WITH THERMOSTAT, ON-OFF SWITCH AND RED LIGHT CIRCUIT AND A 36 KW ELECTRIC HEATER
MFG.: YORK	15'-3"	7'-7"	4'-4"	8'-0"	6'-0"		3750#		105	