

LA BREA AIR, INC.

5601 W. SLAUSON AVENUE SUITE 262, CULVER CITY, CA 90230

PHONE: (310)258-9100 FAX : (310)258-9110 www.labrearentals.com

TO:

ATTENTION:

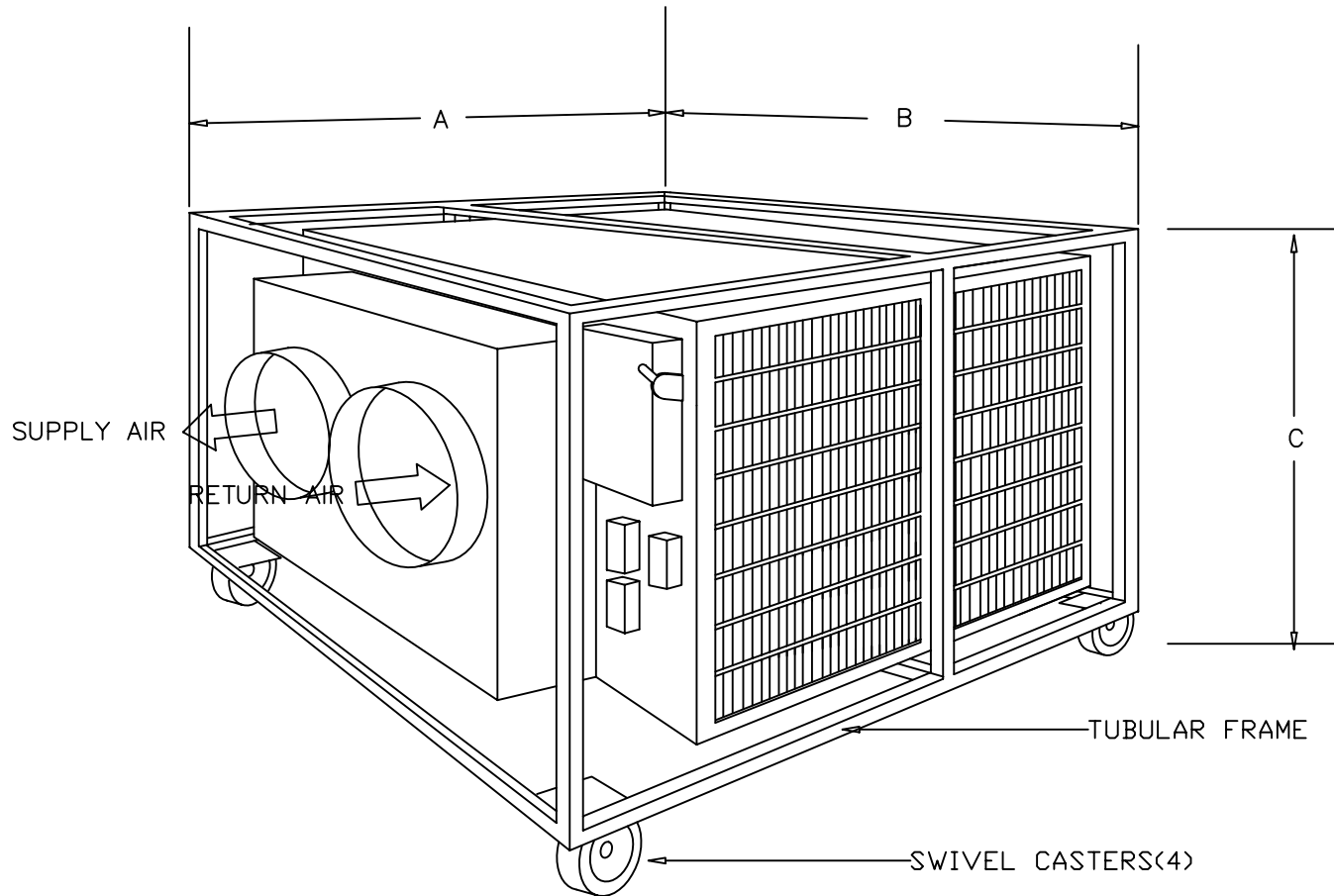
FAX :

FROM:

PAGE: OF

PH:

DATE:



protoA1:1

UNIT/CAPACITY	DIMENSIONS							AMPERAGE		NOTES:
								@ 208/230 V		
ACP-5T	A	B	C	D	E	F	APPROX. WEIGHT	1 PH.	3 PH.	16"Ø FLEX DUCT IN 25' LENGTHS.100' IS STANDARD POWER CABLE @ 100'.100' IS STANDARD THIS UNIT IS EQUIPPED WITH THERMOSTAT ON-OFF SWITCH AND RED LIGHT CIRCUIT
MFG.: CARRIER	5'-1"	4'-9"	3'-8"				640#	45	32	