

LA BREA AIR, INC.

5601 W. SLAUSON AVENUE SUITE 262, CULVER CITY, CA 90230

PHONE: (310)258-9100 FAX : (310)258-9110 www.labrearentals.com

TO:

ATTENTION:

FAX :

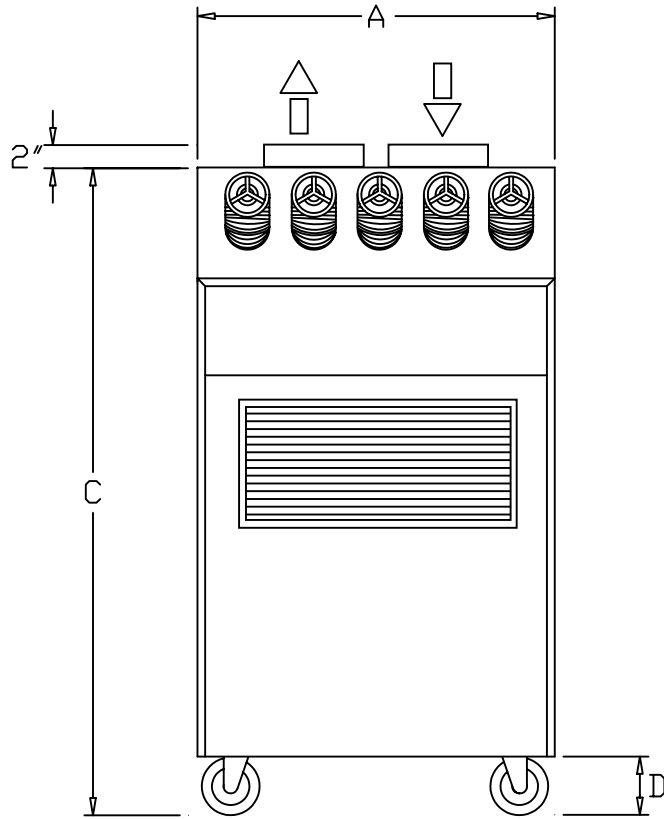
FROM:

PAGE: OF

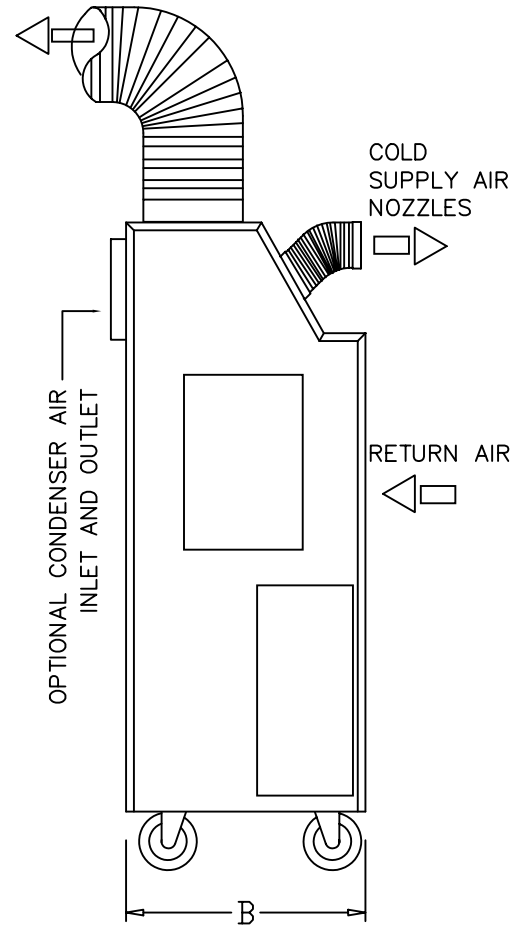
PH:

DATE:

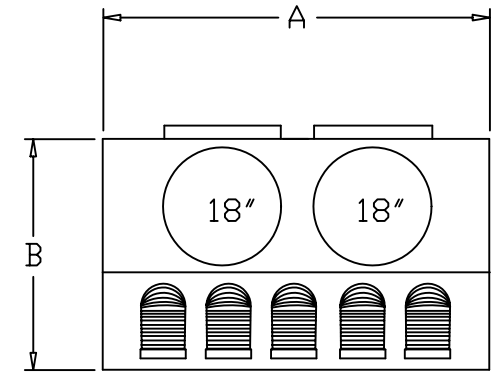
18" HOT CONDENSER AIR



FRONT VIEW



SIDE VIEW



TOP VIEW

protoA1:1

UNIT/CAPACITY	DIMENSIONS							AMPERAGE		NOTES:
								@ 208/230 V		
PAC-5T	A	B	C	D	E	F	APPROX. WEIGHT	1 PH.	3 PH.	THIS UNIT IS EQUIPPED WITH INTERNAL CONDENSATE WATER PUMP; 50' OF 3/8" CLEAR TUBING FOR CONDENSATE WATER DRAIN; 100' OF ELEC. CABLE AND (2) 25' L. 18"Ø FLEX DUCT
MFG.: AIR ROVER	4'-0"	2'-6"	5'-9"	0'-5"			600#	46.9	32	