

LA BREA AIR, INC.

5601 W. SLAUSON AVENUE SUITE 262, CULVER CITY, CA 90230

PHONE: (310)258-9100 FAX : (310)258-9110 www.labrearentals.com

TO:

ATTENTION:

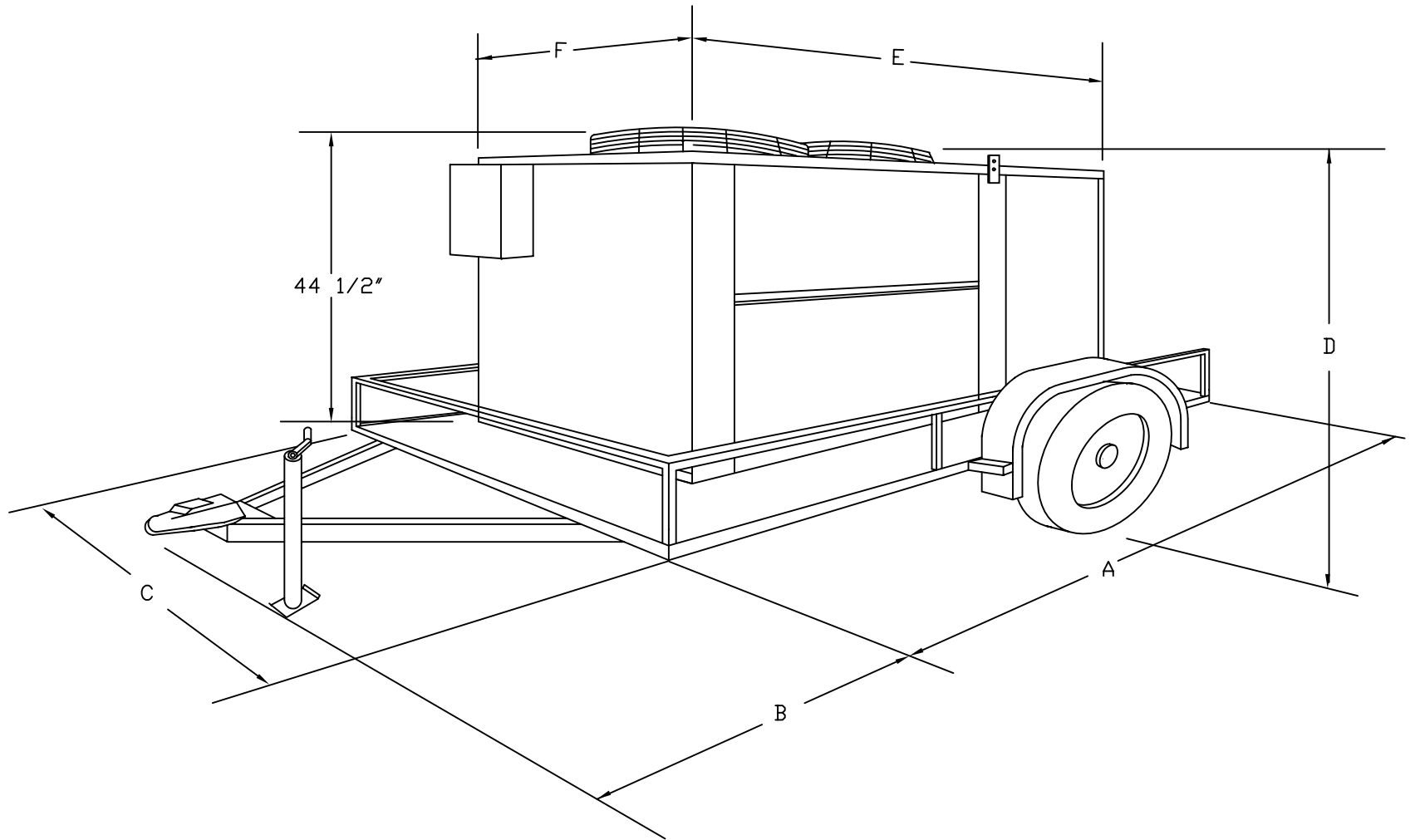
FAX :

FROM:

PAGE: OF

PH:

DATE:



protoA1:1

UNIT/CAPACITY	DIMENSIONS							AMPERAGE		NOTES:
								@ 208/230 V		
ACC-10T	A	B	C	D	E	F	APPROX. WEIGHT	1 PH.	3 PH.	ELECTRICAL CONNECTION ARE CAMLOCK. SUPPLY AND RETURN PIPING CONNECTIONS ARE 1 1/2" CAMLOCK HOSE. 2 HP PUMP INSTALLED 100 AMPS FUSED DISCONNECT MOUNTED.
MFG.: DUNHAM BUSH	10'-4"	3'-2"	5'-4"	5'-3"	9'-6"	2'-11"	1500#		60	