

LA BREA AIR, INC.

5601 W. SLAUSON AVENUE SUITE 262, CULVER CITY, CA 90230

PHONE: (310)258-9100 FAX : (310)258-9110 www.labrearentals.com

TO:

ATTENTION:

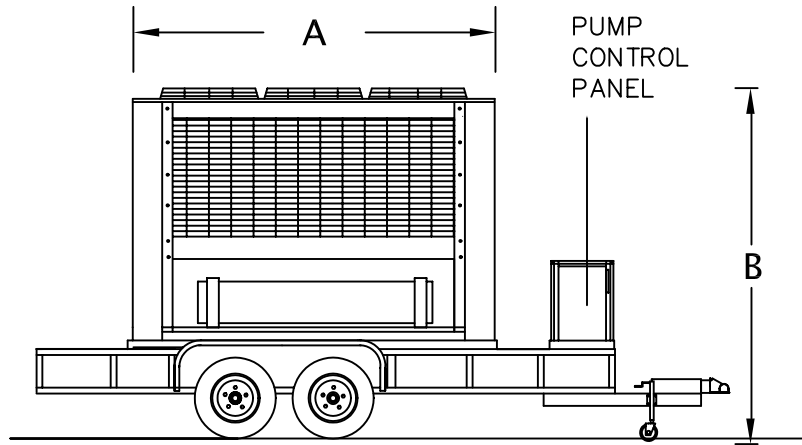
PAGE: OF

FAX :

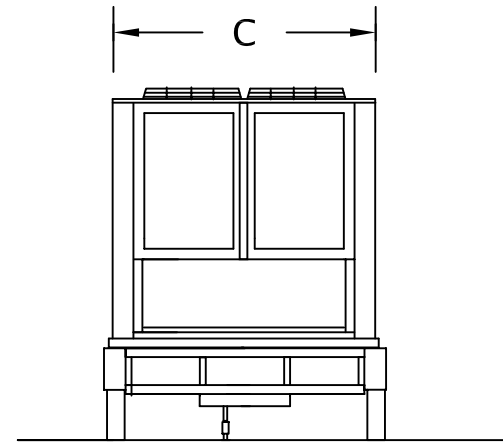
PH:

FROM:

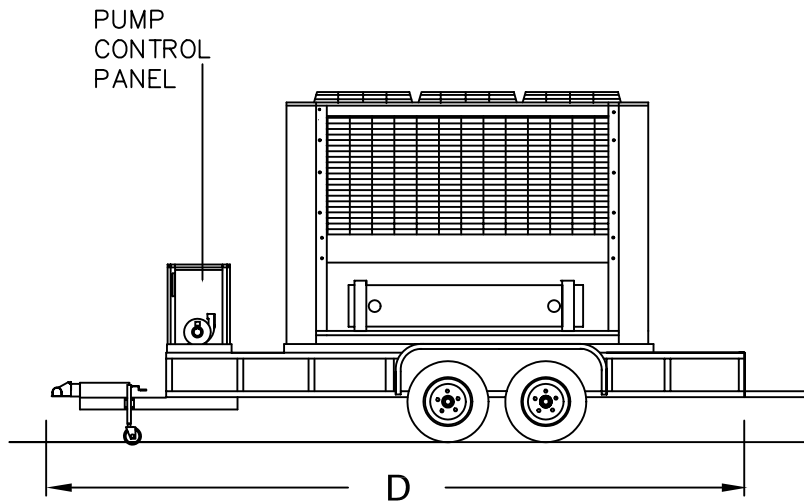
DATE:



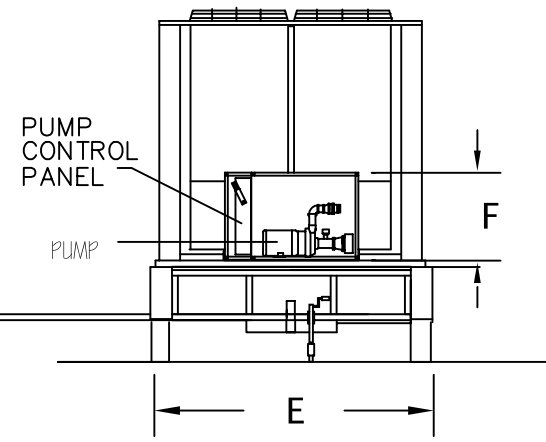
RIGHT SIDE VIEW



REAR VIEW



LEFT SIDE VIEW



FRONT VIEW

protoA1:1

UNIT/CAPACITY	DIMENSIONS							AMPERAGE	NOTES:
								@ 460 V	
ACC-80T	A	B	C	D	E	F	APPROX. WEIGHT	3 PH.	ELECTRICAL CONNECTIONS ARE CAMLOCK. PIPING CONNECTIONS ARE 3" CAMLOCK HOSE 15 H.P. PUMP INSTALLED INTERNALLY 300 AMP FUSED DISCONNECT MOUNTED. 2-5/16" BALL HITCH
MFG.: CARRIER	12'-3"	10'-0"	7'-2"	23'-8"	7'-10"	2'-6"	7200	185	