

LA BREA AIR, INC.

5601 W. SLAUSON AVENUE SUITE 262, CULVER CITY, CA 90230

PHONE: (310)258-9100 FAX : (310)258-9110 www.labrearentals.com

TO:

ATTENTION:

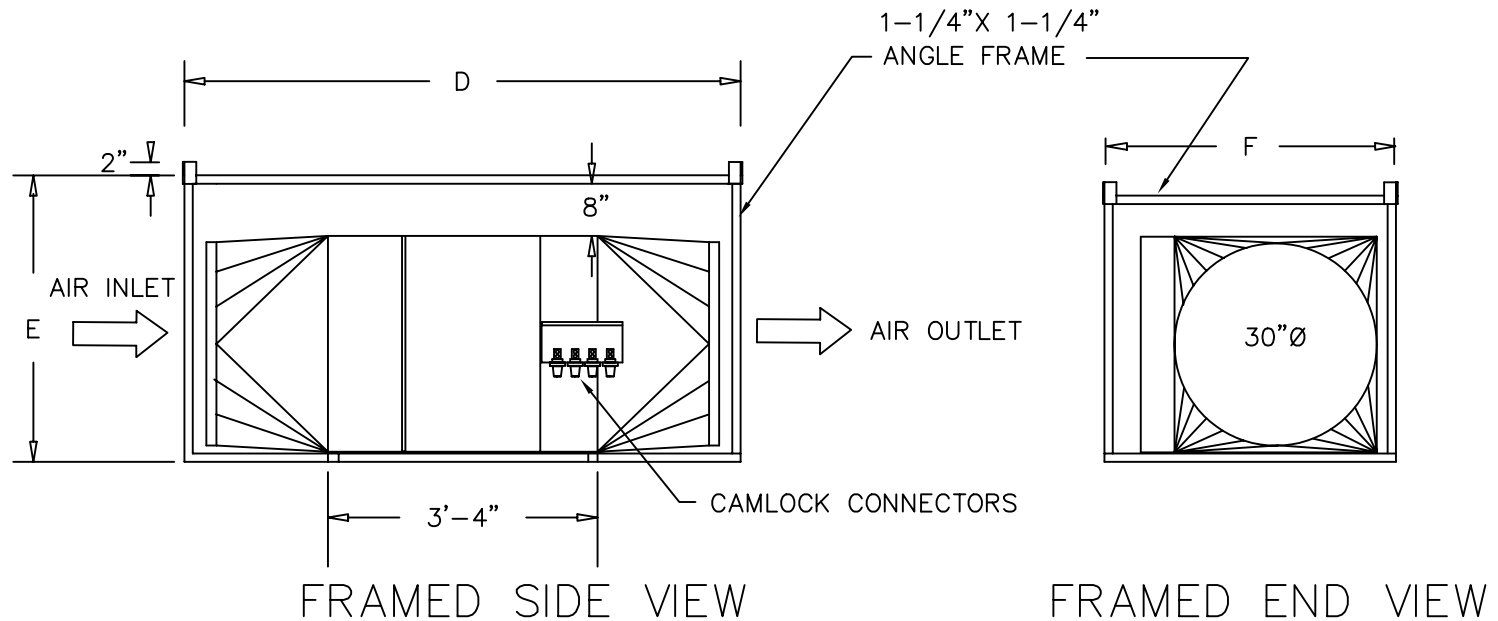
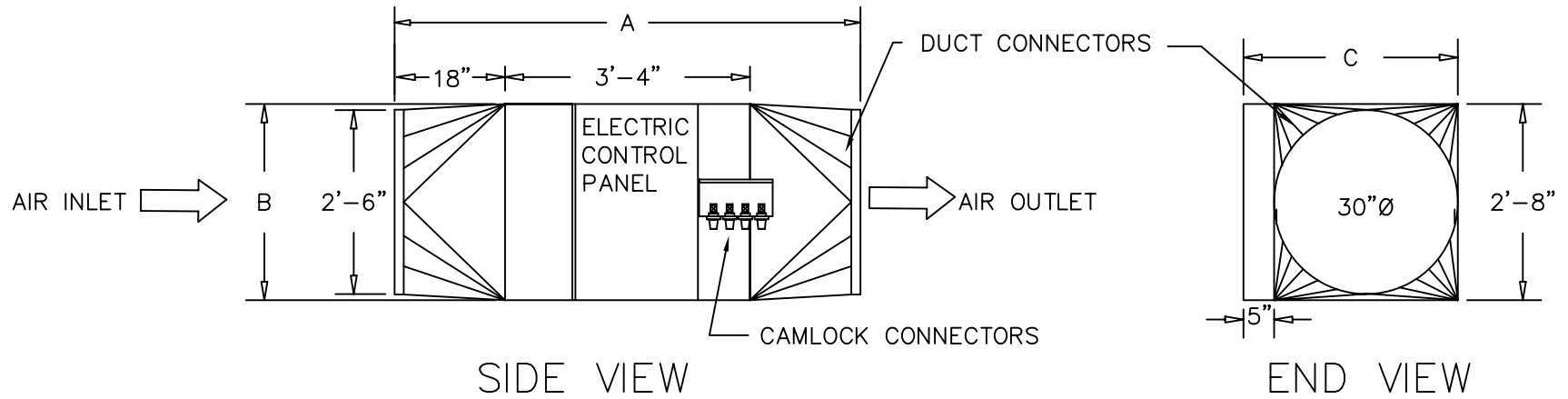
FAX :

FROM:

PAGE: OF

PH:

DATE:



UNIT/CAPACITY	DIMENSIONS							AMPERAGE		NOTES:
								@ 460 V		
100KW-EH	A	B	C	D	E	F	APPROX. WEIGHT	1 PH.	3 PH.	CAMLOCK ELECTRICAL CONNECTORS THIS UNIT IS DESIGNED FOR AN AIR DUCT INSTALLATION
MFG.: DELTA FLO	6'-4"	2'-8"	2'-11"	6'-11"	3'-6"	3'-7"	300 LB.		125	