

LA BREA AIR, INC.

5601 W. SLAUSON AVENUE SUITE 262, CULVER CITY, CA 90230

PHONE: (310)258-9100 FAX : (310)258-9110 www.labrearentals.com

TO:

ATTENTION:

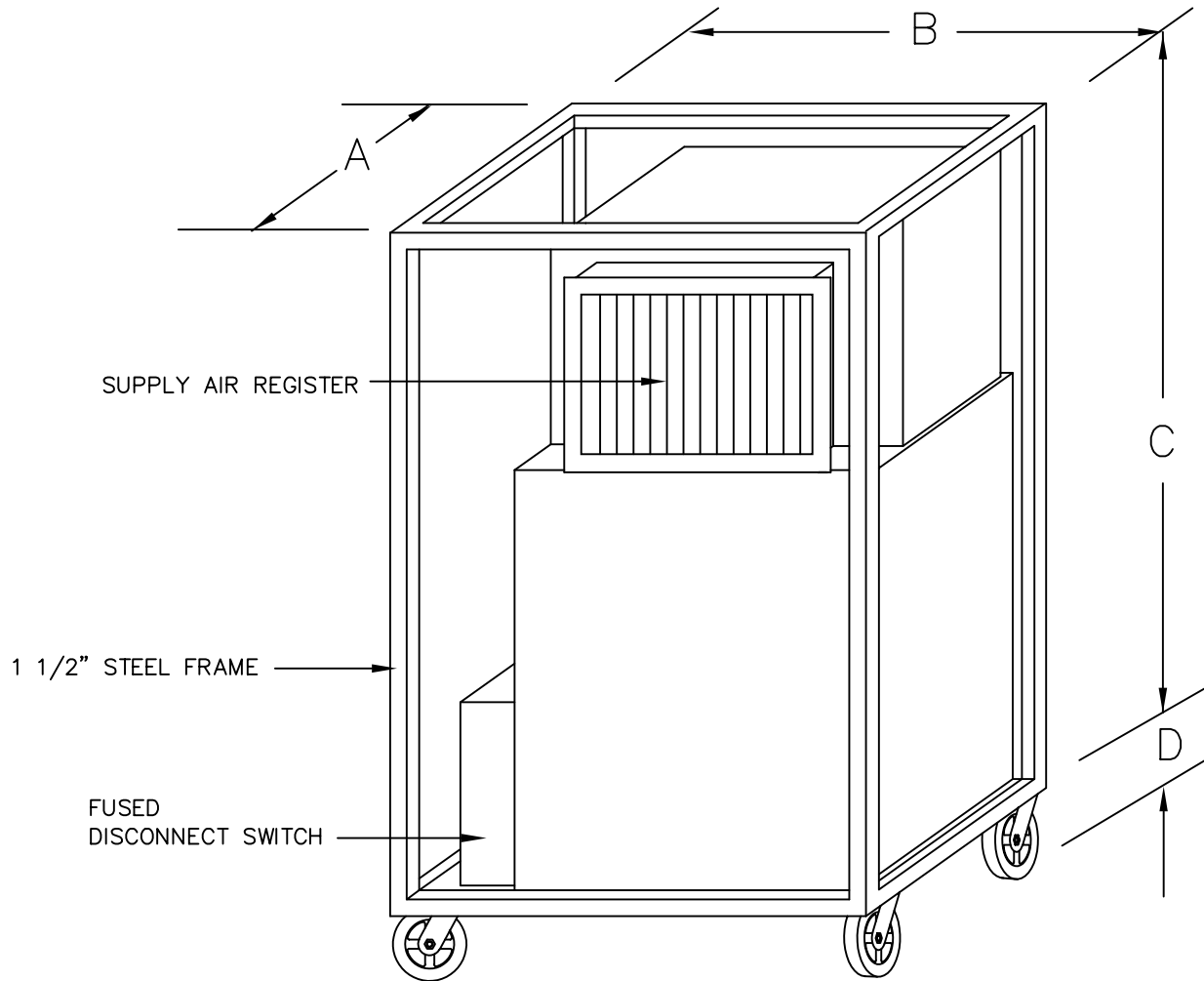
FAX :

FROM:

PAGE: OF

PH:

DATE:



UNIT/CAPACITY	DIMENSIONS						AMPERAGE		NOTES:
							© 208/230 V		
30KW-EH	A	B	C	D	E	F	APPROX. WEIGHT	1 PH.	3 PH.
MFG.: CARRIER	25"	31"	65"	7-1/2"			250 LB		75

100' OF POWER CABLE WITH CAM-LOK
 100' OF FLEX 16" DUCT
 THE UNIT IS EQUIPPED WITH FUSED DISCONNECT SWITCH AND THERMOSTAT.