

LA BREA AIR, INC.

5601 W. SLAUSON AVENUE SUITE 262, CULVER CITY, CA 90230

PHONE: (310)258-9100 FAX : (310)258-9110 www.labrearentals.com

TO:

ATTENTION:

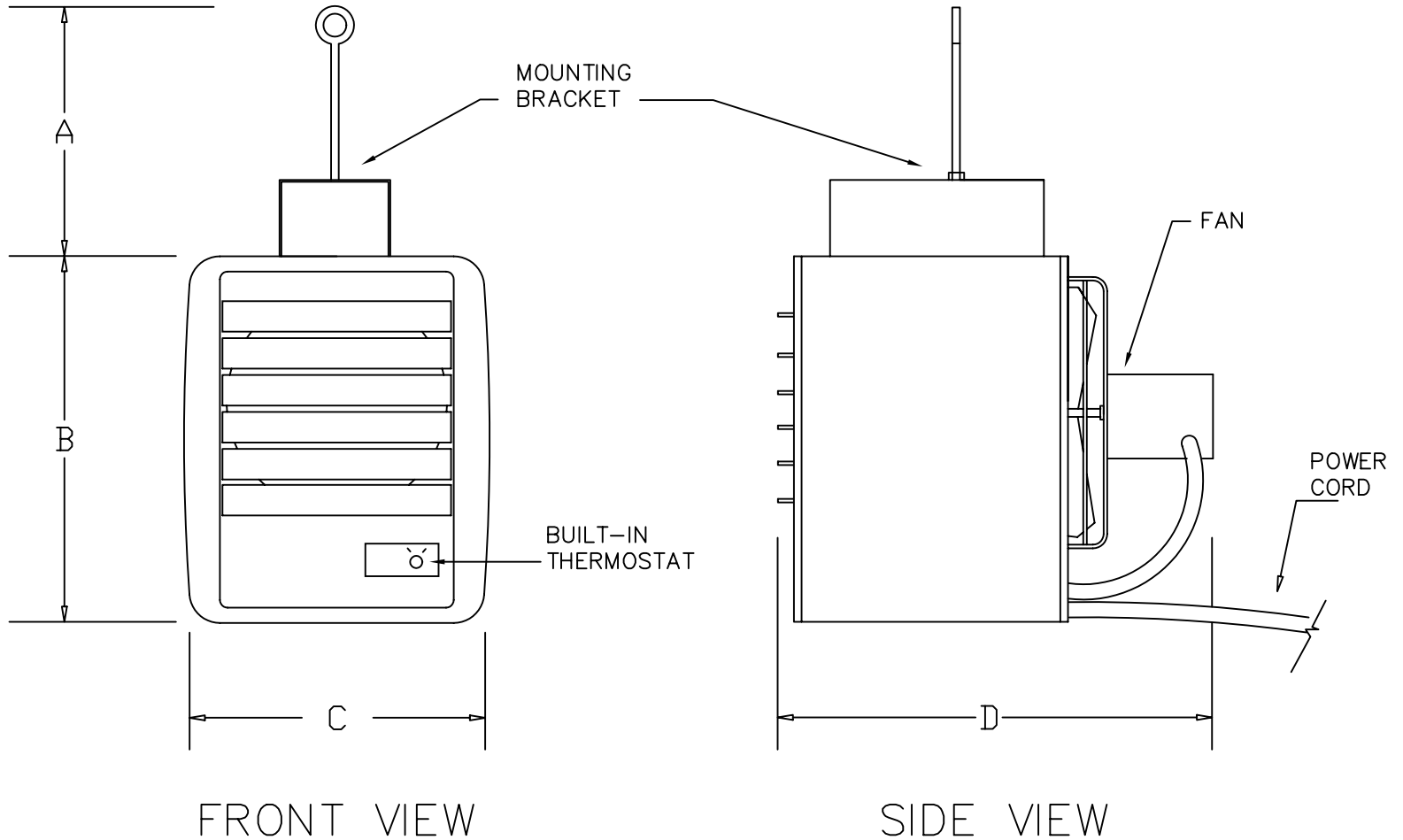
PAGE: OF

FAX :

PH:

FROM:

DATE:



UNIT/CAPACITY	DIMENSIONS							AMPERAGE		NOTES:
								@ 460 V		
45KW-EH	A	B	C	D	E	F	APPROX. WEIGHT	1 PH.	3 PH.	100' ELECTRIC CORD PROVIDED. THE UNIT IS EQUIPPED W/BUILT-IN THERMOSTAT. UL (F#:E7061) AND CSA(F#:LR40859) APPROVED.
MFG.: CHROMALOX	1'-4"	2'-0"	1'-8"	2'-4"			75 #		55	