

# LA BREA AIR, INC.

5601 W. SLAUSON AVENUE SUITE 262, CULVER CITY, CA 90230

PHONE: (310)258-9100 FAX : (310)258-9110 www.labrearentals.com

TO:

ATTENTION:

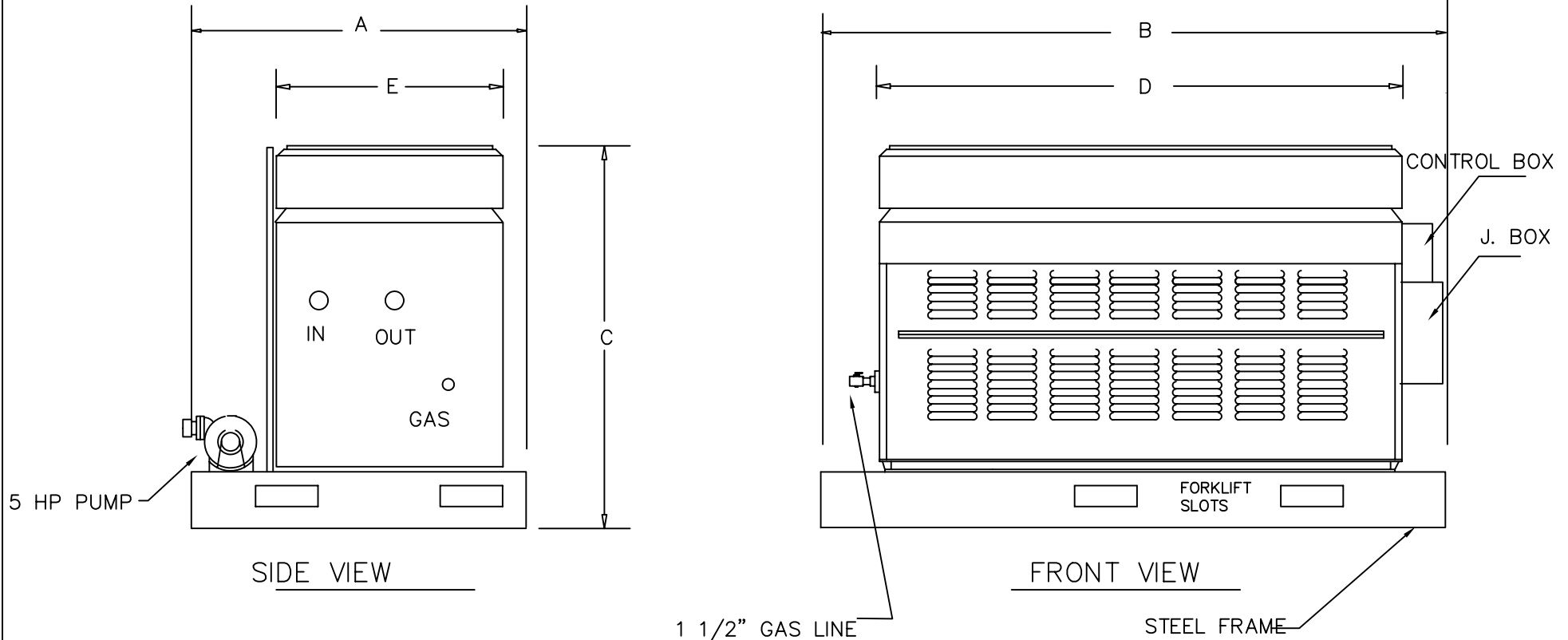
PAGE: OF

FAX :

PH:

FROM:

DATE:



FUEL SUPPLY: Natural gas: 7" w.c. minimum and 14" w.c. max. upstream of inlet to hot water generator.  
 Propane gas: 12" w.c. minimum and 14" w.c. max. upstream of inlet to hot water generator.  
 Above conditions must be provided at both "no load" and "full load" conditions.

UNIT/CAPACITY	DIMENSIONS							AMPERAGE		ACCESSORIES:
								@ 208/230 V		
1.75M	A	B	C	D	E	F	APPROX. WEIGHT	1 PH.	3 PH.	SUPPLY AND RETURN PIPING CONNECTIONS ARE CAMLOCK HOSE. NOMINAL 5 HP PUMP INSTALLED.
MFG.: RAYPAK	4'-0"	9'-00"	4'-9"	7'-5"	2'-8"		1200		18	