

LA BREA AIR, INC.

TO:

ATTENTION:

PAGE: OF

5601 W. SLAUSON AVENUE SUITE 262, CULVER CITY, CA 90230

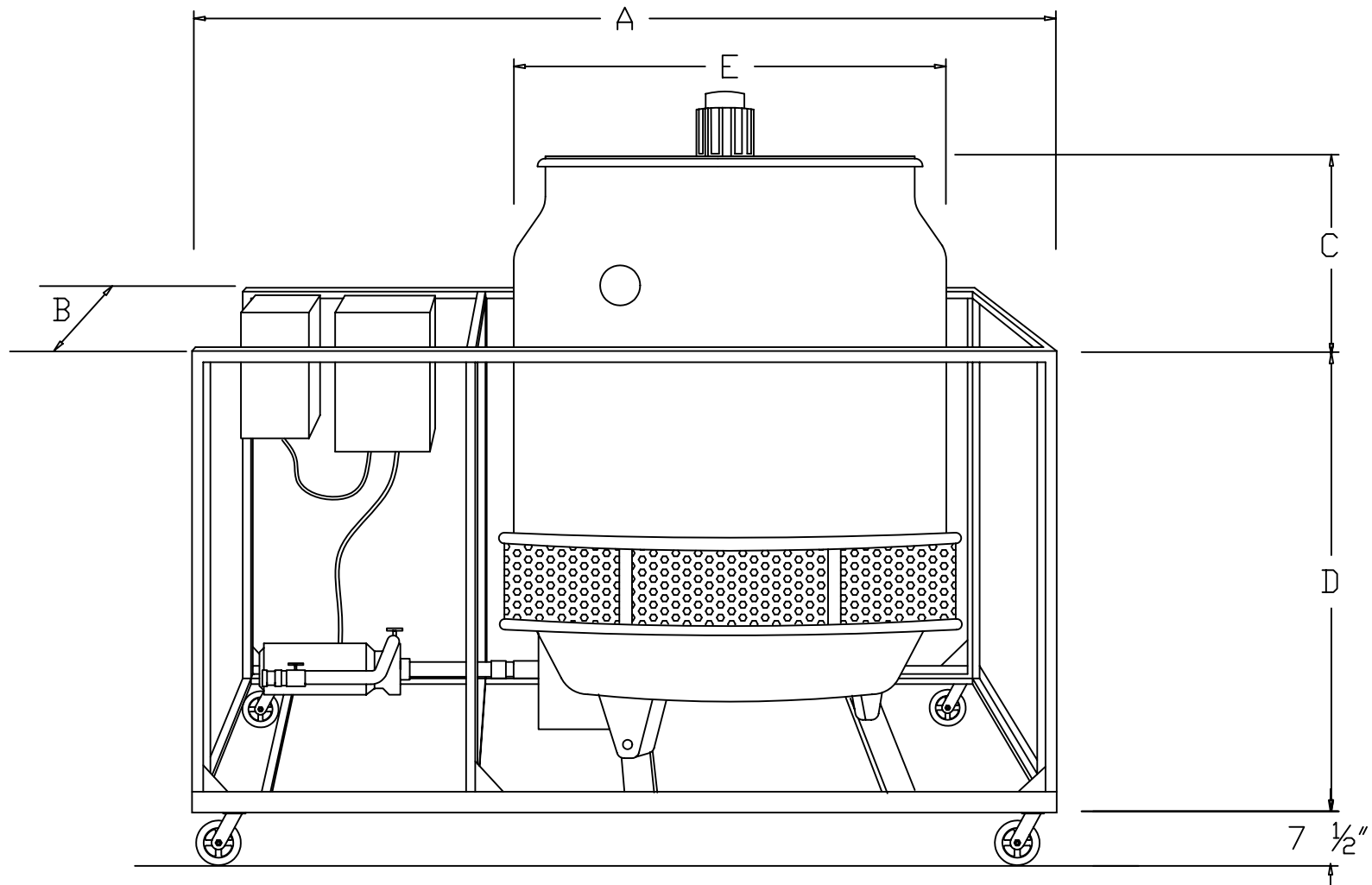
FAX :

PH:

PHONE: (310)258-9100 FAX : (310)258-9110 www.labrearentals.com

FROM:

DATE:



protoA1:1

UNIT/CAPACITY	DIMENSIONS						AMPERAGE		ACCESSORIES:	
							@ 208/230 V			
CT-20T	A	B	C	D	E	F	APPROX. WEIGHT	1 PH.	3 PH.	SUPPLY AND RETURN PIPING CONNECTIONS ARE 1" COMLOCK HOSE. 2 HP PUMP INSTALLED. CHECK, FILL VALVE AND FUSED DISCONNECT MOUNTED.
MFG.: AQUA LOOP	6'-6"	5'-0"	1'-4"	5'-0"	4'-6"		400#	1	18	