

LA BREA AIR, INC.

TO:

ATTENTION:

PAGE: OF

5601 W. SLAUSON AVENUE SUITE 262, CULVER CITY, CA 90230

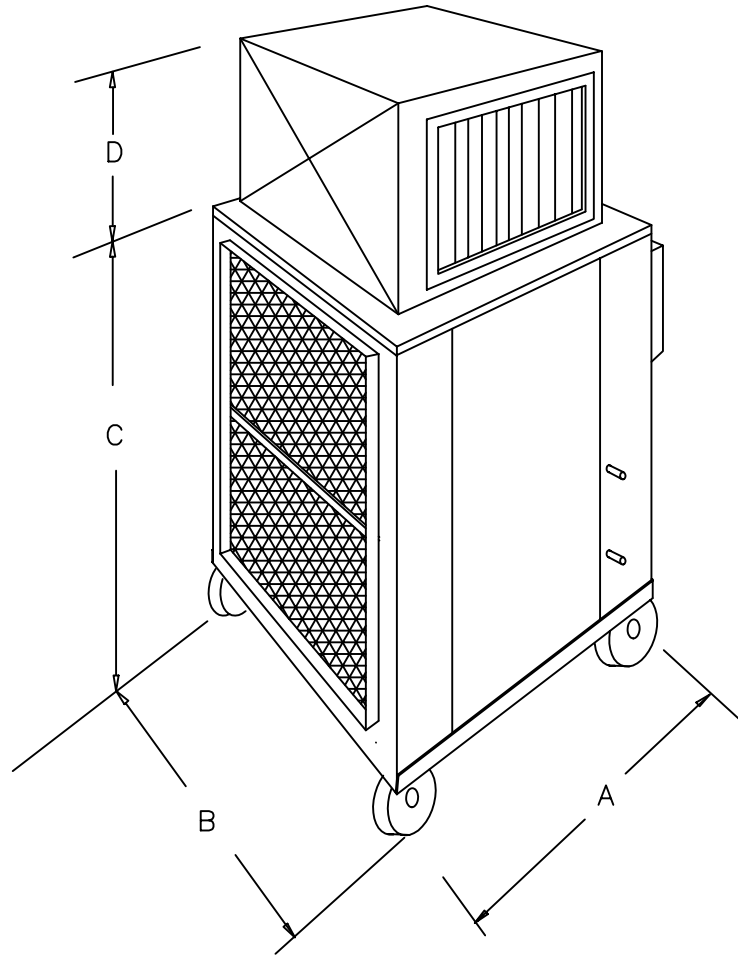
FAX :

PH:

PHONE: (310)258-9100 FAX : (310)258-9110 www.labrearentals.com

FROM:

DATE:



protoA1:1

UNIT/CAPACITY	DIMENSIONS							AMPERAGE		NOTES:
								@ 208/230 V		
WCP-6.5T	A	B	C	D	E	F	APPROX. WEIGHT	1 PH.	3 PH.	16"Ø FLEX DUCT IN 25' LENGTHS.100' IS STANDARD COOLING TOWER AND 18" FLEX DUCT AVAILABLE THIS UNIT IS EQUIPPED WITH THERMOSTAT ON-OFF SWITCH AND RED LIGHT CIRCUIT PIPING CONNECTIONS ARE 1" CAMLOCK HOSE
MFG.: CARRIER	2'-7"	2'-4"	4'-8"	2'-0"			300#		28	